

Flat roof structures (FR)

20

Ballast structure

FR-B-US-EW/H/LAZ/MAX-LONG-X

TYPE

Projected (PS)

MODULE DIRECTION

East-west (EW)

MODULE LAYOUT

Horizontal (H)

INSTALLATION

Long side (LAZ)

MAX PV MODULE LENGTH

Individual (X)



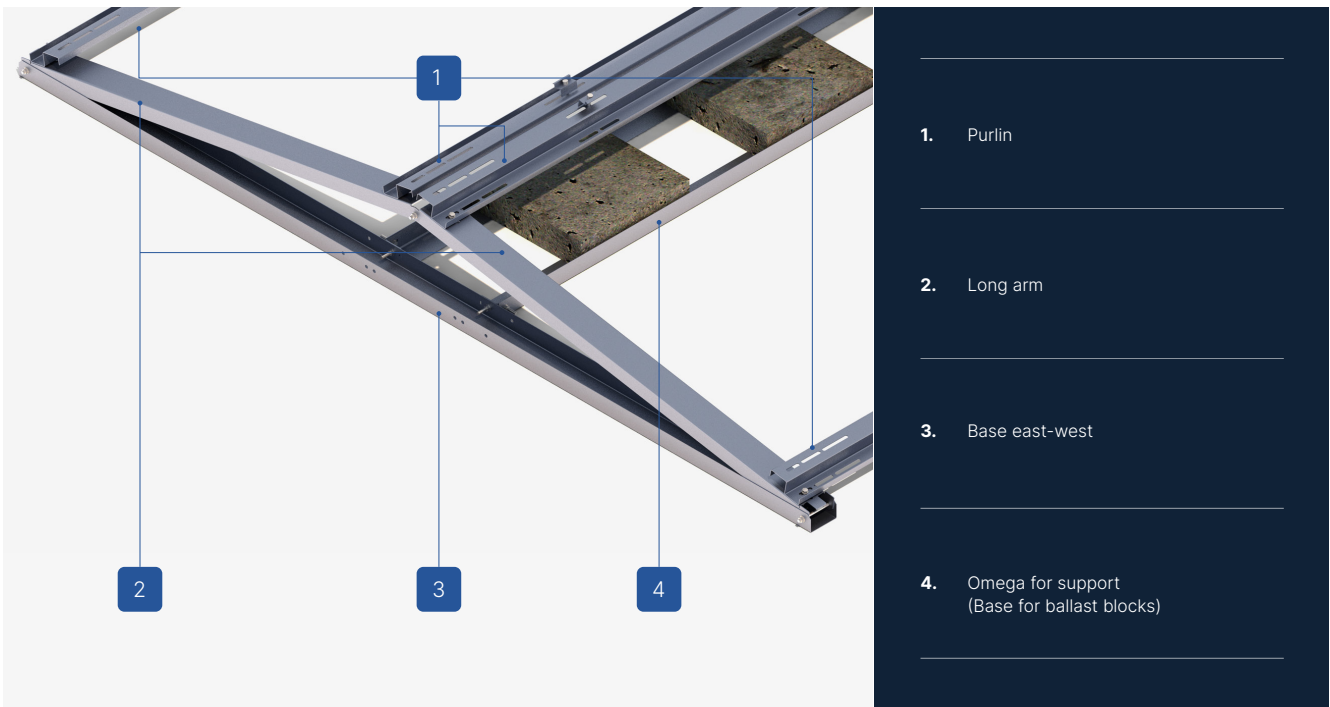
SEE ONLINE →



DESCRIPTION

- A multi-part construction made of Magnelis™ sheet metal, designed for flat roofs requiring additional ballast, without the possibility of using a welded structure.
- Non-invasive installation using an appropriate amount of ballast blocks, according to the ballast plan.
- In the case of installing PV modules in a horizontal layout, an additional element is the ZET profiles with slot holes, to which the modules are mounted using clamps and M8 hex socket screws.

Flat roof structures (FR)



- 1. Purlin
- 2. Long arm
- 3. Base east-west
- 4. Omega for support  
(Base for ballast blocks)

CHARACTERISTICS

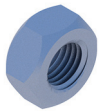
FR-B-PS-EW/H/LAZ/MAX-LONG-X

Roof type	Flat roof (FR)
Method of mounting the structure on the roof	Ballast (B)
Type of construction	Projected (PS)
Module orientation	East-west (EW)
Module layout	Horizontal (H)
How to install a PV module <sup>1</sup>	Long side (LAZ)
Application/substrate on which it is mounted	PVC membrane/bituminous membrane
Method of assembly	The base of the structure is placed on the roof covering and then additionally ballasted using concrete blocks placed on a ballast platform
Does the structure require additional ballast?	Yes
Is it possible to apply the hybrid solution (weld + ballast)?	No
Approximate weight of the structure per 1m <sup>2</sup> of installation without additional ballast (kg/m <sup>2</sup> ) <sup>2</sup>	~16,5
Purlin length (mm)	X
Wind brace length (mm)	Without wind guard
Maximum PV module length (mm) <sup>3</sup>	X
How to install the clamps	Clamps mounted to the triangle - key system
Method of distribution	Custom construction made to order with a lead time of up to 4 weeks for modules with lengths as specified in the product sheet sent for quotation.

<sup>1</sup> the proposed installation method for a given type of module may differ from the installation method provided by the PV module manufacturer, whose recommendations and recommendations determine the proper installation.  
<sup>2</sup> weight calculated for a system of three modules in one row with the maximum dimensions for a given type of structure  
<sup>3</sup> the given maximum size of the module and the proposed method of its installation may differ from the installation method provided by the PV module manufacturer, whose recommendations and recommendations determine the proper installation

Flat roof structures (FR)

LIST OF PARTS - BASE OF CONSTRUCTION



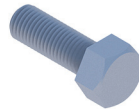
Hexagonal nut  
M8 IE

NM8Z



Washer M8 300HV  
ISO7093-1 IE

PPM8Z



Screw  
M8X97 IE

SM8X97Z



Hexagonal screw  
M8X25 IE

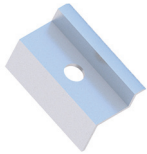
SM8X25Z



Purlin for support  
L=X

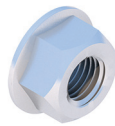
RBTSOLAR-KD-PL-X

LIST OF PARTS - OTHER INSTALLATION ELEMENTS



End clamp  
30/32/35/40  
Nature/Black

KLK50/30(32/35/40)ALN  
KLK50/30(32/35/40)ALCZ



Flange nut  
serrated  
M8 DIN6923 A2

NKM8A2



Allen screw  
M8X35 DIN912 A2

SIM8X35A2