

Trackers



Trackers (T)



TYPE	CARD NO.	CONSTRUCION TYPE	MODULE DIRECTION	MODULE LAYOUT	NUMBER OF PILES	PAGE
Piled (P)	01	Single axis (1AT)	East-west (EW)	Vertical (V)	1 (1P)	3

[Find a representative →](#)

[Legal note →](#)



Individual structures are made for an individual order with 4 week production period.
Universal structures are currently in stock and available on hand.



01

Single axis tracker

T-P-1AT-EW/V/1P

TYPE

Piled (P)

CONSTRUCTION

Single axis (1AT)

MODULE DIRECTION

East-west (EW)

MODULE LAYOUT

Vertical (V)

NUMBER OF PILES

1

Designed to follow the sun



SEE ONLINE →



Trackers (T)



DESCRIPTION

MECHANICS:

- Strength verification of structure parameters carried out by a specialist laboratory.
- Various tracker lengths available to suit specific number of strings, and the selection of number and length of the trackers is individually carried out for each project.
- Design assumptions implemented according to the DFA methodology (Designed for Assembly).
- Split adaptive bearings adjust its position to variable thermal or geometric deformations of the supporting beam.
- The use of an intermediate purlin to increase the central support surface of the load-bearing purlin connected to the PV panel.
- Drive leg is in the same axis as the support columns (the length of the support columns is selected individually, depending on the geographical and geological conditions of the project).
- Standardization of structural elements.
- Optimization of screw connections.

CONTROLS:

- Device is using an advanced astronomical algorithm to control the position of the panels in relation to the current position of the sun.
- Intuitive installation and startup configuration system.
- Configurable alarm and notification management.
- Backward algorithm that prevents and minimizes row shading.
- Zigbee® wireless communication system, or wired RS-485.
- Remote monitoring and preventive maintenance to reduce installation downtime (easy integration with SCADA system in the Modbus TCP/IP standard).
- Possibility of individual configuration of the tracker operation depending on the order of rows and terrain slope.
- Safety system against excessive wind speed (safe positioning of PV panels).
- Possibility of using various service modes related to the position of the panels, e.g. snow removal, cleaning.
- Possibility to use a snow level detector.
- Possibility of current and historical verification of installation parameters via cloud data storage.

CHARACTERISTICS

T-P-1AT-EW/V/1P

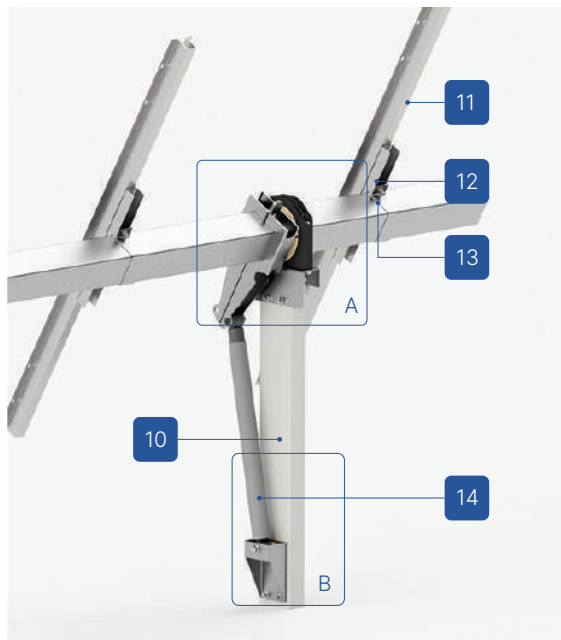
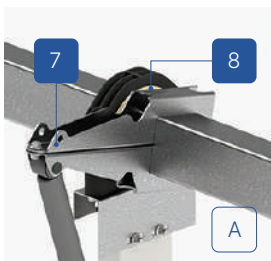
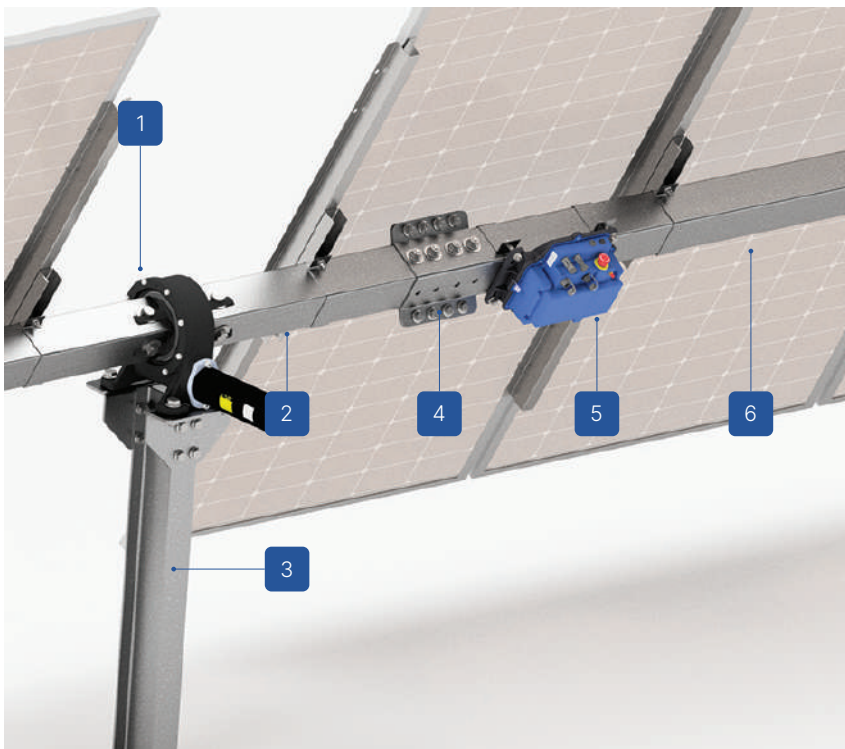
Construction base	Ground
Method of mounting	Piled (P)
Type of construction	Tracker (T), single axis (1A)
Module orientation	East-west (EW)
Module layout	Vertical (V)
PV module length (MAX)	2300
Type of tracking	Automatic, horizontal ¹
Tracking algorithm	Direct astronomical patterns; Tracking precision = 2,0 ^{o2}
Rotation range	±60°
Ground cover factor	Any configuration determined by the customer (from 32% to 50%)
PV module compatibility	Standard/Bifacial
Drive system	1 independent horizontal rotation drive per 1 tracker
Modules per tracker	max 60 (individual configuration possible)
Power supply	dedicated photovoltaic modules + 230V AC 50/60 Hz ³ battery
Communication	Zigbee® wireless (or wired RS-485) communication system
Monitoring	Modbus TCP/IP, possibility of integration with SCADA system
Adaptation to the slope of terrain	up to 6% in N-S direction
Wind resistance	1) Up to 80 km/h in any given position 2) Up to 140 km/h in horizontal or any position configured as neutral
Method of distribution	Individual order

¹Recommended alignment of the tracker axis along the north-south direction.

²Possible individual adjustment of traction to the topography of the terrain.

³Possibility of UPS usage.

Trackers (T)



1. Central drive
RBTsOLAR-1AT-TGB-CD
2. Secondary beam
RBTsOLAR-1AT-SB
3. Central IPE 160 drive column
RBTsOLAR-1AT-CD-C
4. Beam connector
RBTsOLAR-1AT-B-C
5. TCU controller
RBTsOLAR-1AT-P4Q-CTR
6. Main beam
RBTsOLAR-1AT-MB
7. Damper upper arm
RBTsOLAR-1AT-D-UA
8. Main beam bearing
RBTsOLAR-1AT-TGB-MB-B
9. Damper low joint
RBTsOLAR-1AT-D-LJ
10. Main column
RBTsOLAR-1AT-MC
11. Purlin
RBTsOLAR-1AT-PLN
12. Purlin runner
RBTsOLAR-1AT-PLN-R
13. Purlin joint
RBTsOLAR-1AT-PLN-J
14. Damper
RBTsOLAR-1AT-TGB-D

TECHNICAL NOTES

Assembly method:
Screw connections. Designed for fast and easy installation. No on-site welding or drilling required.

Materials:
Construction graded steel.

SERVICE

Maintenance-free bearings.
Inspection and maintenance of the rotary drive every 2 years.

Technical inspections according to individual arrangements.

Our representatives



REGION ↘

CONTACT ↘

Zachodniopomorskie, Pomorskie,
Kujawsko-Pomorskie, Lubuskie
Wielkopolskie

Sebastian Jędraszek
+48 724 651 405
sebastian.jedraszek@rbtsolar.com

Podlaskie, Warmińsko-Mazurskie,
Mazowieckie, Łódzkie

Adrian Ochenkowski
+48 724 270 337
adrian.ochenkowski@rbtsolar.com

Dolnośląskie, Śląskie,
Opolskie, Czechy

Tomasz Juszczyk
+48 724 270 305
tomasz.juszczyk@rbtsolar.com

Małopolskie, Podkarpackie,
Lubelskie, Świętokrzyskie

Radosław Mazurek
+48 885 582 057
radoslaw.mazurek@rbtsolar.com

Lithuania, Latvia, Estonia

Andrejus Krutko
+370 684 19934
andrejus.krutko@rbtsolar.com

Other countries

Dana Kushel
+48 724 652 204
dana.kushel@rbtsolar.com

rbt[®]solar

WE ARE PART OF GRUPA/rexbud

CONTACT

+48 724 625 200
biuro@rbtsolar.com
rbtsolar.com

PRODUCTION FACILITY

ul. A. Struga 14
95-100 Zgierz
Poland
NIP 732 221 39 23



The information contained in this document is of an illustrative nature, primarily specifying the technical possibilities according to the presented assumptions, and does not constitute a commercial offer within the meaning of Article 66 para. 1 of the Polish Civil Code. We reserve the right to make technical changes related to product development, as well as changes in product prices and their availability. Please check the rbtnsolar.com website, in the Sales Department, or with the Sales Representatives of RBT Solar Sp. z o.o. to verify whether the product parameters remain current at the time of placing an order. Detailed information about the technical parameters of individual products can be found in separate product sheets and on the rbtnsolar.com website.

[Back to catalog ←](#)